

4

3

2

1

B

B

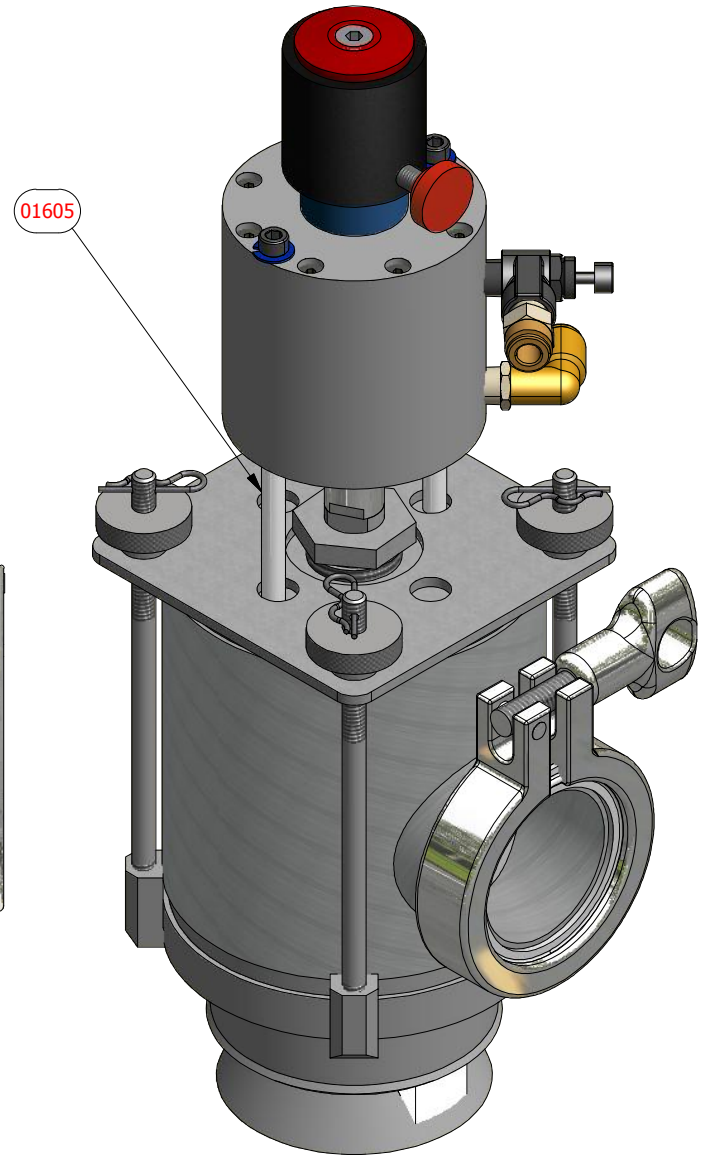
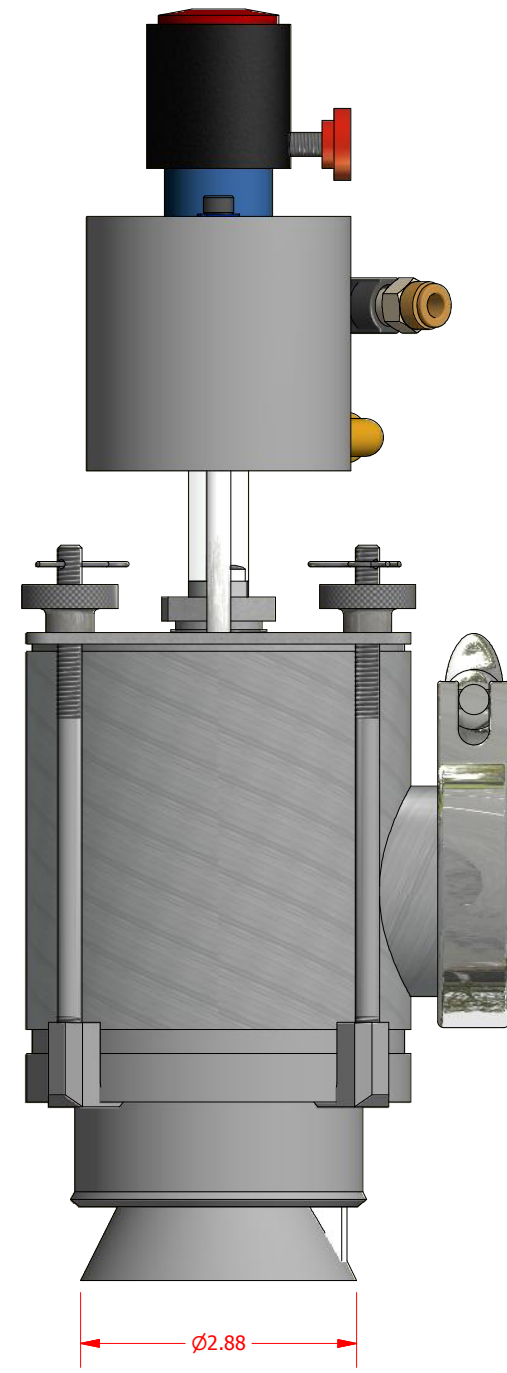
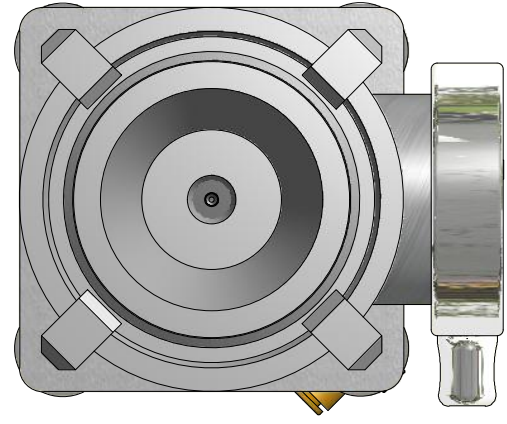
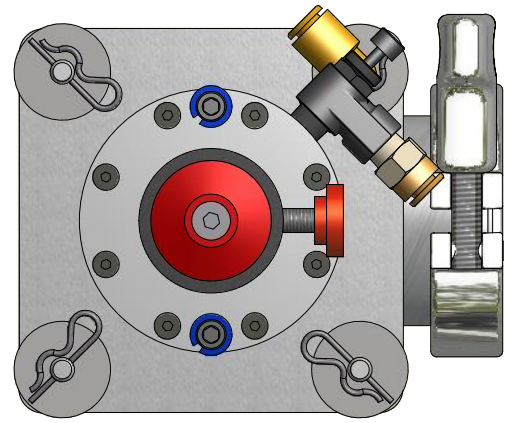
A

A

A

A

PARTS LIST			
ITEM	QTY	PART NUMBER	DESCRIPTION
00933	1	ABA-COV-27	Valve Body
00938	1	ABA-COV-28SS	Valve Cap
00893	1	ABA-COV-07 6 RINGS	Packing Ring Set
00905	1	ABA-COV-18SS	Pressure plug Stainless Steel
00943	1	ABA-COV-31 Rev B	Tie Plate
00952	2	ABA-COV-36 - O-Ring	O-Ring 3.5 x 3.75
00946	4	ABA-COV-32	Tie Rod
02532	2	ABA-COV-91B	SS set screws 10-32 x 7/8 inch
01604	1	ABA-COV-90	Air Cylinder Large, 1 58" Bore x 1" Adjustable Stroke
02054	1	169PL-4-2	1/4" Tube to 1/8" NPT Male
02053	1	68PL-4-2	Straight Connector
00896	1	ABA-COV-10	Flow Control
01605	2	ABA-COV-91	Stainless Steel Threaded Round Standoffs 1/4 OD, 2 Length, 10-32 Screw Size
01618	1	ABA-COV-90THUMBSCREW	Thumb Screw
00956	4	ABA-COV-40	Knurled Nut
00957	1	ABA-COV-44	2" S-Line Clamp
00958	1	ABA-COV-45	2" S-Line Gasket
02567	4	ABA-COV-32B	Cotter Pin
01722	1	ABA-COV-86A	Nozzle Cone Large Style with Flush
01723	1	ABA-COV-87A-RevB	Valve Foot Reduced Diameter Cone Size
01574	1	ABA-COV-88UHMW	Bubble Breaker Cone Nozzle
02627	1	ABA-COV-89B - 10-24 x 1 SS	Flat Head Socket Cap Screw
02750	1	ABA-COV-88-UHMWB	10-24 X 7/8 Socket Cap Screw
01712	1	ABA-COV-89Rev D	Cutoff Valve, Valve Stem Cone Style
00895	2	ABA-COV-09	Split Lock Washer
01620	2	ABA-COV-92	Soc Head Cap Screw



PROPRIETARY AND CONFIDENTIAL
 THIS INFORMATION CONTAINED IN THIS DRAWING IS THE SOLE PROPERTY OF ANTHONY BARBER ASSOCIATES, LTD (ABA). ANY REPRODUCTION IN PART OR AS A WHOLE WITHOUT THE WRITTEN PERMISSION OF ABA IS STRICTLY PROHIBITED.

		UNLESS OTHERWISE SPECIFIED DIMENSIONS ARE IN INCHES		DRAWN		NAME	DATE	Anthony Barber Associates, Ltd 8041 Arrowridge Boulevard, Unit G Charlotte, NC 28273		
		TOLERANCES: ANGULAR: MACH ±0.5° BEND ±1" THREE PLACE DECIMAL ±.005" TWO PLACE DECIMAL ±.01" ONE PLACE DECIMAL ±.1" INTEGER (NO DECIMAL) ±.1" FRACTIONAL ± 1/32" HOLES: Ø 0 - Ø .125 +.004/-0.002 Ø .126 - Ø .25 +.006/-0.003 Ø .251 - Ø 1 +.010/-0.005		CHECKED		SimonWalker		4/15/2014		TITLE: Gallon Cone Style Fill Head Reduced Diameter
		MATERIAL		ENG APPR.				SIZE	DWG. NO.	
		FINISH		MFG APPR.				ABA-COV-85A		REV
NEXT ASSY		USED ON		Q.A.				SCALE: 1:10		WEIGHT:
APPLICATION				INTERPRET GEOMETRIC TOLERANCING PER: ASME Y14.5 THIRD ANGLE PROJECTION IN PART FABRICATION, BREAK EDGES & DEBURR HOLES .01 TO .02 DO NOT SCALE DRAWING				SHEET 1 OF 2		

4

3

2

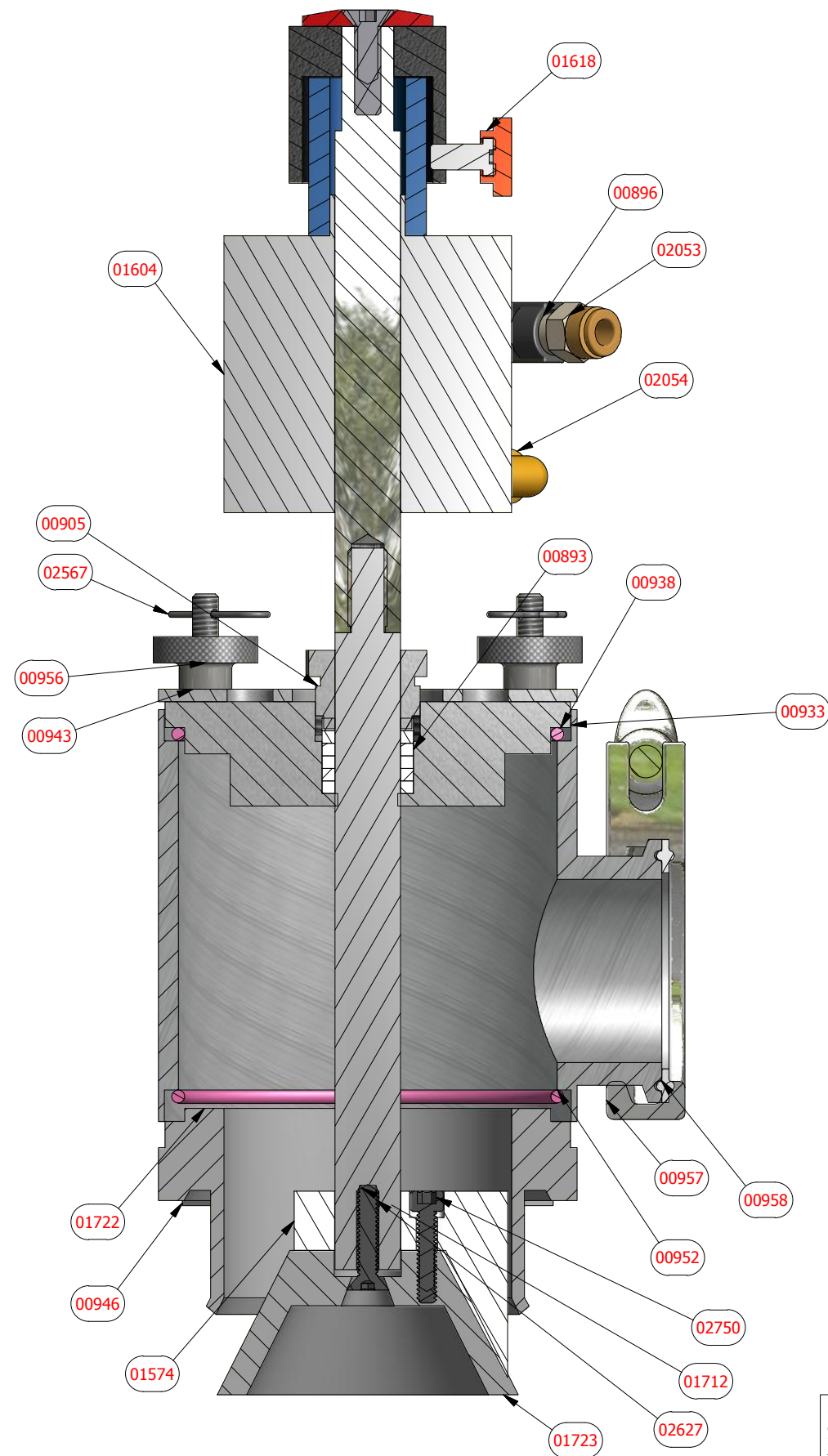
1

B

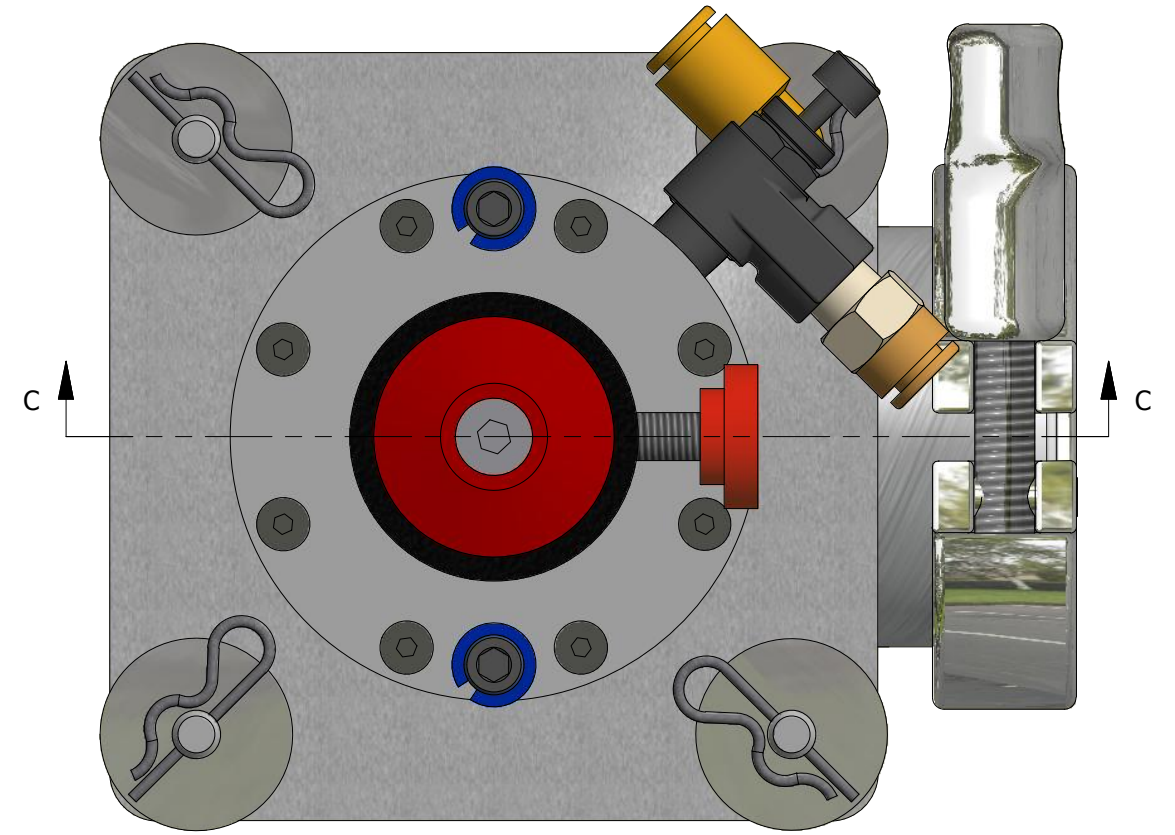
B

A

A



SECTION C-C
SCALE 1/1.5



PROPRIETARY AND CONFIDENTIAL
THIS INFORMATION CONTAINED IN THIS DRAWING IS THE SOLE PROPERTY OF ANTHONY BARBER ASSOCIATES, LTD (ABA). ANY REPRODUCTION IN PART OR AS A WHOLE WITHOUT THE WRITTEN PERMISSION OF ABA IS STRICTLY PROHIBITED.

		UNLESS OTHERWISE SPECIFIED DIMENSIONS ARE IN INCHES TOLERANCES: ANGULAR MACH ±0.5° BEND ±1° THREE PLACE DECIMAL ±.005" TWO PLACE DECIMAL ±.01" ONE PLACE DECIMAL ±.1" INTEGER (NO DECIMAL) ±.1" FRACTIONAL ± 1/32" HOLES: Ø 0 - Ø .125 +.004/-.002 Ø .126 - Ø .25 +.006/-.003 Ø .251 - Ø 1 +.010/-.005	DRAWN	NAME	DATE	Anthony Barber Associates, Ltd 8041 Arrowridge Boulevard, Unit G Charlotte, NC 28273 TITLE: Gallon Cone Style Fill Head Reduced Diameter
			CHECKED	Simon Walker	4/15/2014	
			ENG APPR.			
			MFG APPR.			
			Q.A.			
		MATERIAL	INTERPRET GEOMETRIC TOLERANCING PER: ASME Y14.5 THIRD ANGLE PROJECTION IN PART FABRICATION, BREAK EDGES & DEBURR HOLES .01 TO .02			SIZE DWG. NO. ABA-COV-85A
		FINISH	DO NOT SCALE DRAWING			SCALE: 1: 10 WEIGHT: SHEET 2 OF 2
NEXT ASSY	USED ON	APPLICATION				

4

3

2

1












Anthony Barber Associates Ltd., USA
 8041 Arrowridge Boulevard, Suite G, Charlotte, NC 28273
 Tel: +1 (704) 714-3494
 Fax: +1 (704) 714-3496
<http://www.abaltd.com>
sales@abaltd.com

Bill Of Materials

Product:	ABA-COV-85A Cone Fill Head - 2 inlet (S-Line), 2.875 Outlet, For Gallon Cans.
Product Qty:	1
Customer:	
Job Number:	

Part ID	Part Number	Qty	Description	Photo
00893 (01)	ABA-COV-07	1	Packing Ring Set, 5/8" I.D. X 7/8" O.D., 5 rings per set.	
00895 (10)	ABA-COV-09	2	18-8 Stainless Steel Spring Lock Washer #10 Screw Size, .200" ID, .334" OD, .047" min Thk (See also/take from 92146A011 for additional inventory)	
00896 (09)	ABA-COV-10	1	Flow control, cut off valve	
00905 (13)	ABA-COV-18SS	1	Pressure plug stainless steel	
00933 (16)	ABA-COV-27	1	Valve body	
00938 (13)	ABA-COV-28SS	1	Valve Cap COV-26 Assy, Stainless Steel	
00943 (18)	ABA-COV-31	1	Tie plate, ABA-COV-26 ASSY	

00946 (15)	ABA-COV-32	4	Tie Rod assembly 1/4-20 thread	
00952 (02)	ABA-COV-36	2	Fill head O-Ring Teflon outer, silicone core o-ring (TFE)	
00956 (05)	ABA-COV-40	4	Knurled nut 1/4-20	
00957 (21)	ABA-COV-44	1	2inch S-Line Clamp Heavy, 2 Tri-clover, 304 SS	
00958 (20)	ABA-COV-45	1	2inch S-Line Teflon Seal/Gasket	
01574 (08)	ABA-COV-88UHMW	1	UHMW Bubble Breaker for Gallon Nozzle	
01604 (03)	ABA-COV-90	1	Air cylinder, 1 5/8 bore x 1" adjustable extend stroke	
01605 (19)	ABA-COV-91	2	18-8 Stainless Steel Threaded Round Standoffs 1/4" OD, 2" Length, 10-32 Screw Size	
01620 (04)	ABA-COV-92	2	18-8 Stainless Steel Socket Head Cap Screw 10-32 Thread, 2-3/4" Length for ABA-COV-85 cone head assy.	
01712 (14)	ABA-COV-89	1	Valve stem gallon cone, 3/8"-24 male thread, 1/4-28 female O/E	
01722 (06)	ABA-COV-86A	1	Nozzle, 2.875" outlet, cone style fill heads ABA-COV-85A	

01723 (07)	ABA-COV-87A	1	Valve foot, 2.875" Outlet, Gallon cone nozzle, reduced 1/2 diameter	
02053 (11)	68PL-4-2	1	Straight Connector, 1/4" Tube x 1/8" NPT Male	
02054 (12)	169PL-4-2	1	Elbow 1/4" Tube x 1/8" NPT Male	
02532 (19)	ABA-COV-91B	2	SS Set Screws 10-32 x 7/8" for COV-91 Standoffs	
02567 (15)	ABA-COV-32B	4	Cotter pin for ABA-COV-32	
02627 (22)	ABA-COV-89B	1	18-8 Stainless Steel Flat Head Sckt Cap Screw 1/4"-28 Thread, 1" Length	
02750	ABA-COV-88UHMWB	1	10-24 X 7/8 Socket Cap Screw for ABA-COV-88UHMW	
03545	ABA-LABEL	1	ABA Label	