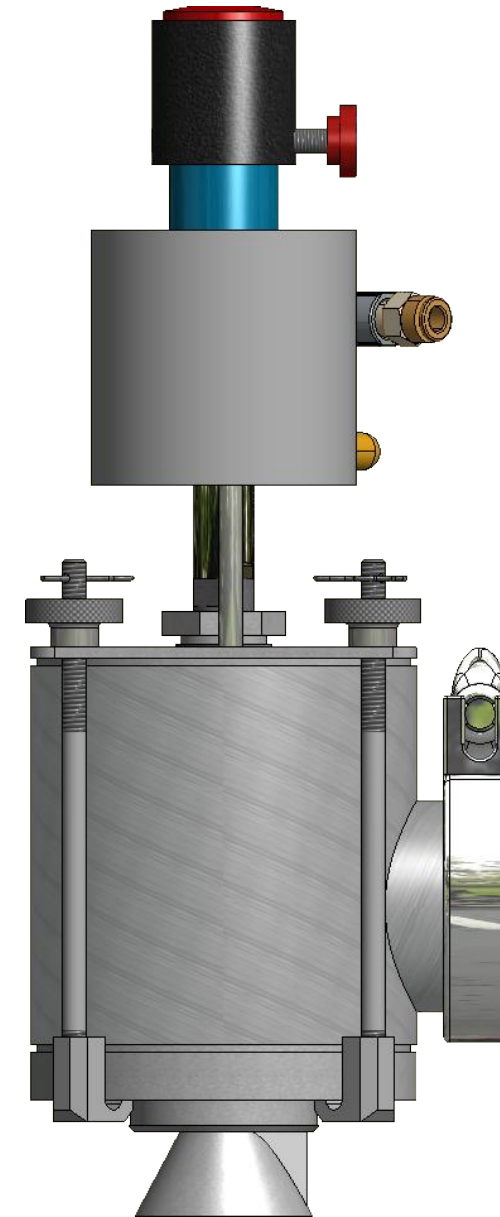
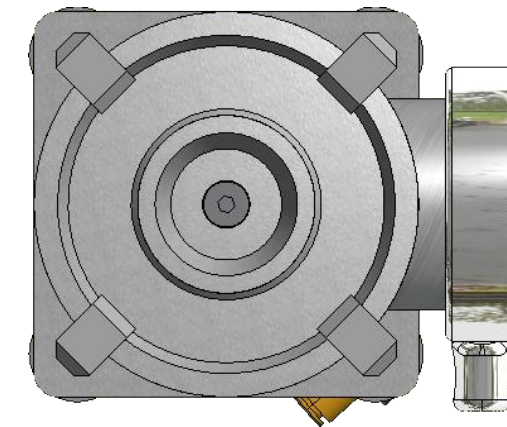
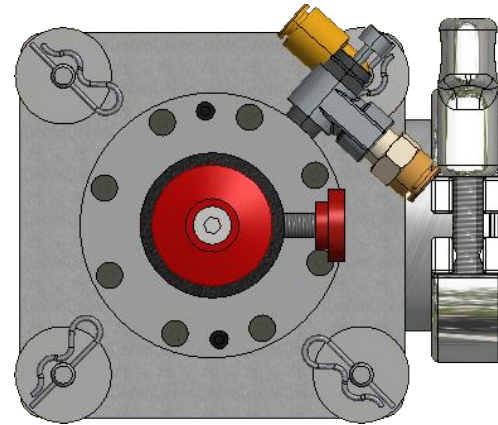
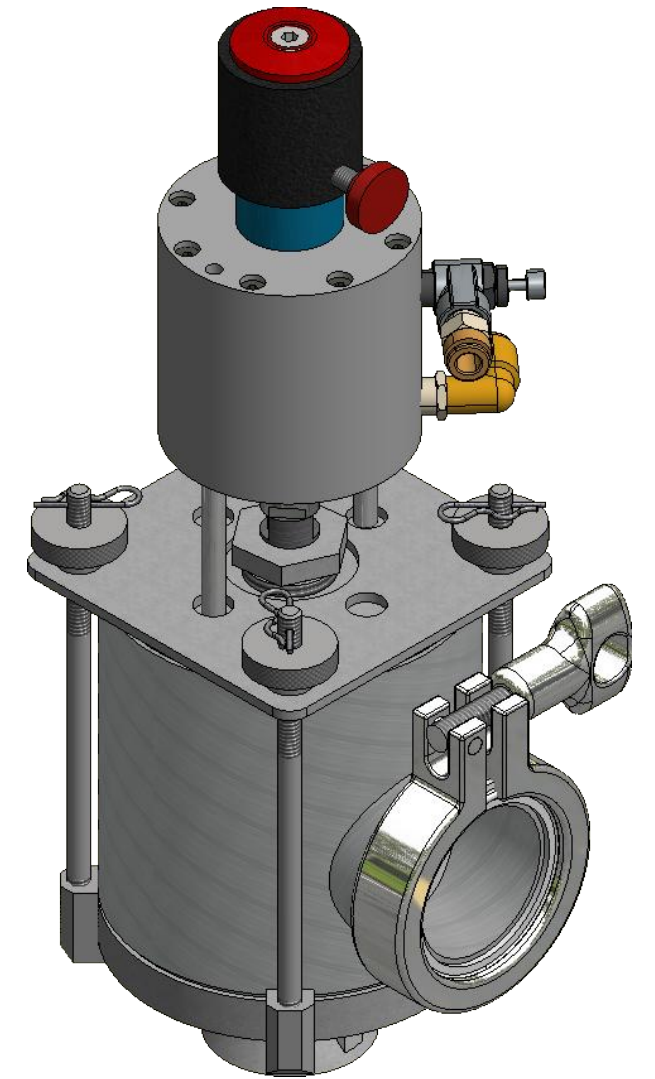


| PARTS LIST | | | |
|------------|-----|-----------------------------|---|
| ITEM | QTY | PART NUMBER | DESCRIPTION |
| 00933 | 1 | ABA-COV-27 | Valve Body |
| 00938 | 1 | ABA-COV-28SS | Valve Cap |
| 00893 | 1 | ABA-COV-07 6 RINGS | Packing Ring Set |
| 00905 | 1 | ABA-COV-18SS | Pressure plug Stainless Steel |
| 00943 | 1 | ABA-COV-31 Rev B | Tie Plate |
| 00952 | 2 | ABA-COV-36 - O-Ring | O-Ring 3.5 x 3.75 |
| 00946 | 4 | ABA-COV-32 | Tie Rod |
| 01710 | 1 | ABA-COV-86SML | |
| 01709 | 1 | ABA-COV-87SML Rev B | |
| 01707 | 1 | ABA-COV-89SML Rev B | |
| 11 | 1 | 92805A245 (ABA-COV-105B) | 10-24 x .75 FHCS Screw |
| 02532 | 2 | ABA-COV-91B | SS set screws 10-32 x 7/8 inch |
| 01604 | 1 | ABA-COV-90 | Air Cylinder Large, 1 5/8" Bore x 1" Adjustable Stroke |
| 02749 | 1 | 6-32 X 0.5 INCH SHCS | |
| 02054 | 1 | 169PL-4-2 | 1/4" Tube to 1/8" NPT Male |
| 02053 | 1 | 68PL-4-2 | Straight Connector |
| 00896 | 1 | ABA-COV-10 | Flow Control |
| 01605 | 2 | ABA-COV-91 | Stainless Steel Threaded Round Standoffs 1/4 OD, 2 Length, 10-32 Screw Size |
| 01618 | 1 | ABA-COV-90THUMBSCREW | Thumb Screw |
| 00956 | 4 | ABA-COV-40 | Knurled Nut |
| 00957 | 1 | ABA-COV-44 | 2" S-Line Clamp |
| 00958 | 1 | ABA-COV-45 | 2" S-Line Gasket |
| 02567 | 4 | ABA-COV-32B | Cotter Pin |
| 01711 | 1 | ABA-COV-88SML Rev D | Bubble breaker small |



Ø1.85



PROPRIETARY AND CONFIDENTIAL
THIS INFORMATION CONTAINED IN THIS DRAWING IS THE SOLE PROPERTY OF ANTHONY BARBER ASSOCIATES, LTD (ABA). ANY REPRODUCTION IN PART OR AS A WHOLE WITHOUT THE WRITTEN PERMISSION OF ABA IS STRICTLY PROHIBITED.

| | | | | | |
|-------------|-------------|--|--|------|--|
| | | UNLESS OTHERWISE SPECIFIED DIMENSIONS ARE IN INCHES TOLERANCES: ANGULAR: MACH ±0.5° BEND ±1" THREE PLACE DECIMAL ±.005" TWO PLACE DECIMAL ±.01" ONE PLACE DECIMAL ±.1" INTEGER (NO DECIMAL) ±1" FRACTIONAL ±1/32" HOLES: Ø 0 - Ø .125 +.004/-0.002 Ø .126 - Ø .25 +.006/-0.003 Ø .251 - Ø 1 +.010/-0.005 | NAME | DATE | Anthony Barber Associates, Ltd 8041 Arrowridge Boulevard, Unit G Charlotte, NC 28273 TITLE: Quart Cone Fill Head |
| DRAWN | SimonWalker | | 4/15/2014 | | |
| CHECKED | | | INTERPRET GEOMETRIC TOLERANCING PER: ASME Y14.5 THIRD ANGLE PROJECTION IN PART FABRICATION, BREAK EDGES & DEBURR HOLES: .01 TO .02 | | REV |
| ENG APPR. | | | SIZE DWG. NO. ABA-COV-85QTS | | |
| MFG APPR. | | | SCALE: 1:10 WEIGHT: | | |
| Q.A. | | | DO NOT SCALE DRAWING | | SHEET 1 OF 2 |
| NEXT ASSY | USED ON | FINISH | | | |
| APPLICATION | | | | | |

4 3 2 1

B

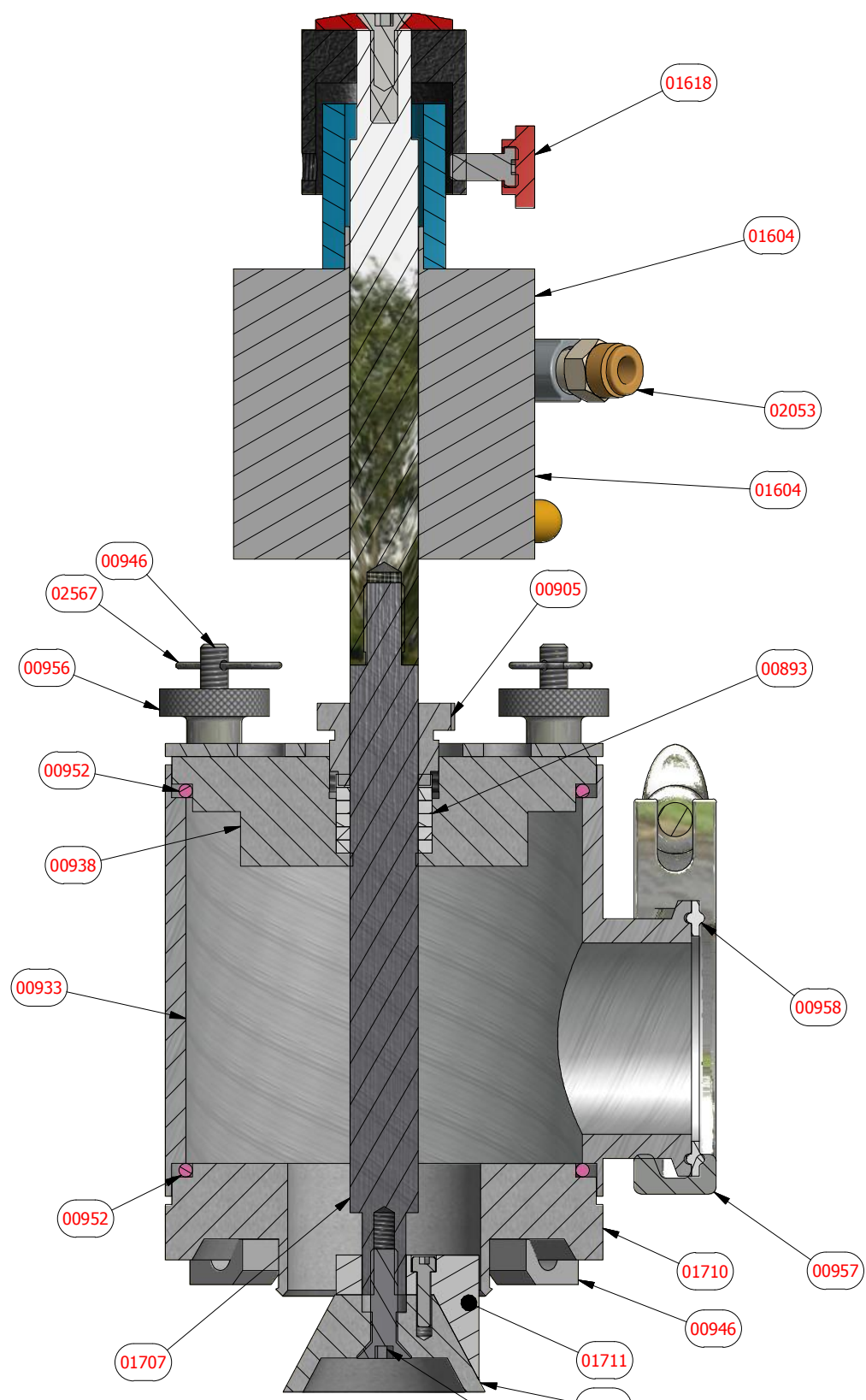
B

A

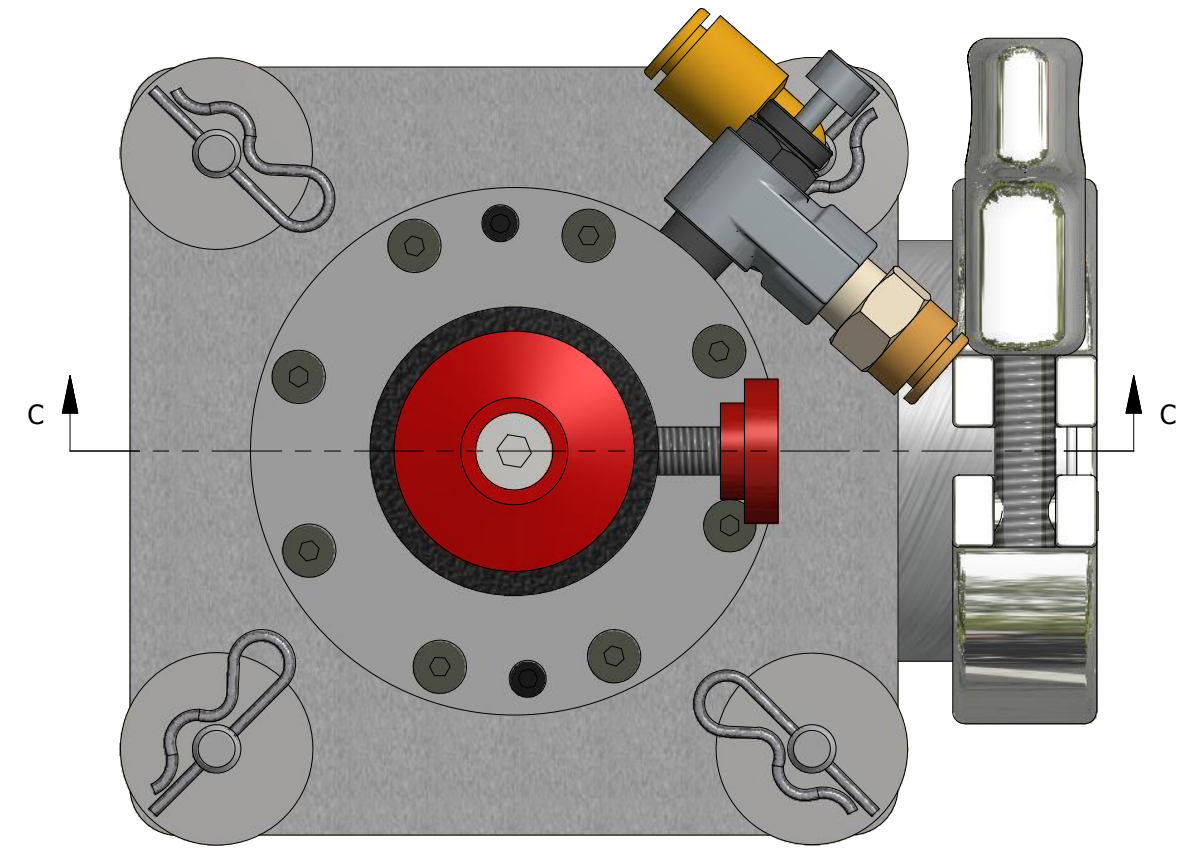
A

A



A



SECTION C-C
SCALE 1/1.5



PROPRIETARY AND CONFIDENTIAL
THIS INFORMATION CONTAINED IN THIS DRAWING IS THE SOLE PROPERTY OF ANTHONY BARBER ASSOCIATES, LTD (ABA). ANY REPRODUCTION IN PART OR AS A WHOLE WITHOUT THE WRITTEN PERMISSION OF ABA IS STRICTLY PROHIBITED.

| | | | | | |
|-------------|-------------|---|--|------|--|
| | | UNLESS OTHERWISE SPECIFIED DIMENSIONS ARE IN INCHES TOLERANCES: ANGULAR: MACH ±0.5° BEND ±1° THREE PLACE DECIMAL ±.005" TWO PLACE DECIMAL ±.01" ONE PLACE DECIMAL ±.1" INTEGER (NO DECIMAL) ±.1" FRACTIONAL ± 1/32" HOLES: Ø 0 - Ø .125 +.004/-.002 Ø .126 - Ø .25 +.006/-.003 Ø .251 - Ø 1 +.010/-.005 | NAME | DATE |  Anthony Barber Associates, Ltd 8041 Arrowridge Boulevard, Unit G Charlotte, NC 28273 TITLE: Quart Cone Fill Head |
| DRAWN | SimonWalker | | 4/15/2014 | | |
| CHECKED | | | INTERPRET GEOMETRIC TOLERANCING PER: ASME Y14.5  THIRD ANGLE PROJECTION IN PART FABRICATION, BREAK EDGES & DEBURR HOLES: .01 TO .02 | | |
| ENG APPR. | | | SIZE DWG. NO. REV B ABA-COV-85QTS | | |
| MFG APPR. | | | SCALE: 1: 10 WEIGHT: SHEET 2 OF 2 | | |
| Q.A. | | | | | |
| NEXT ASSY | USED ON | MATERIAL | | | |
| APPLICATION | | FINISH | | | |

4 3 2 1



Anthony Barber Associates, Ltd.
 888E. Belvidere Road, Unit #224,
 Grayslake, IL 60030
 Tel: 847-223-9557 Fax: 847-223-9522
 www.abaltd.com sales@abaltd.com

Bill Of Materials

| | |
|---------------------|--|
| Product: | ABA-COV-85QTS CONE STYLE QUART NOZZLE NO FLUSH ATTACHMENT |
| Product Qty: | 1 |
| Customer: | |
| Job Number: | |

| Item # | Img Ref # | Part Number | Qty | Description | Photo |
|--------|-----------|----------------|-----|---|---|
| 1 | | ABA-COV-89C | 1 | 10-24 X 1" Socket Cap Screw with Nylon Patch |  |
| 2 | | ABA-COV-32B | 4 | ABA-COV-32B Cotter pin for ABA-COV-32 |  |
| 3 | | ABA-COV-91B | 2 | SS set screws 10-32 x 1" for COV-91 standoffs |  |
| 4 | | ABA-COV-90SKT | 0 | ABA-COV-90SKT Seal kit for ABA-COV-90 air cylinder |  |
| 5 | | ABA-COV-88SMLB | 1 | 6-32 x 1/2" Socket Cap Screw for ABA-COV-88SML bubble breaker |  |
| 6 | 01 | ABA-COV-07 | 1 | Packing Ring Set |  |
| 7 | 02 | ABA-COV-36 | 2 | Fill head O-Ring Teflon outer, silicone core o-ring (TFE) |  |
| 8 | 03 | ABA-COV-90 | 1 | Adjustable stroke air cylinder for ABA-COV-85ASSY |  |
| 9 | 04 | ABA-COV-92 | 2 | Soc Head Cap scw for ABA-COV-85 cone head assy. (2 per) 91 |  |
| 10 | 05 | ABA-COV-40 | 4 | Knurled nut 1/4-20 |  |
| 11 | 06 | ABA-COV-86SML | 1 | ABA-COV-86SML Nozzle, quart Cone Style |  |
| 12 | 07 | ABA-COV-87SML | 1 | ABA-COV-87SML Rev B Valve Foot, Quart cone style |  |
| 13 | 08 | ABA-COV-88SML | 1 | ABA-COV-88SML Bubble breaker, quart cone nozzle | |

| | | | | | |
|----|----|----------------------|---|--|---|
| | | | | |  |
| 14 | 09 | ABA-COV-10 | 1 | Flow control, cut off valve |  |
| 15 | 10 | ABA-COV-09 | 2 | Split lock washer #10 ZPL |  |
| 16 | 11 | 68PL-4-2 | 1 | Straight connector, 1/4" pneumatic tube - 1/8" NPT Male. |  |
| 17 | 12 | 169PL-4-2 | 1 | Swivel Elbow, 1/4" pneumatic tube - 1/8" NPT Male. |  |
| 18 | 13 | ABA-COV-18SS | 1 | ABA-COV-18SS PRESSURE PLUG, STAINLESS STEEL |  |
| 19 | 14 | ABA-COV-89SML | 1 | ABA-COV-89SML Valve stem Quart cone tie rod assy |  |
| 20 | 15 | ABA-COV-32 | 4 | Tie Rod assembly 1/4-20 thread |  |
| 21 | 16 | ABA-COV-27 | 1 | Valve body, ABA-COV-26 Assembly |  |
| 22 | 17 | ABA-COV-28SS | 1 | Valve Cap COV-26 Assy, Stainless Steel |  |
| 23 | 18 | ABA-COV-31 | 1 | ABA-COV-31 Tie plate, ABA-COV-26 ASSY |  |
| 24 | 19 | ABA-COV-91 | 2 | 18-8 Stainless Steel Threaded Round Standoffs 1/4" OD, 2" Length, 10-32 Screw Size |  |
| 25 | 20 | ABA-COV-45 | 1 | 119749B03 2" Gasket, C.I.P.Teflon, Tri-clamp style (S-line) |  |
| 26 | 21 | ABA-COV-44 | 1 | Clamp heavy, 2" Tri-clover (S-Line) |  |
| 27 | 3B | ABA-COV-90REDCAP | 0 | Red cap for COV-90 air cylinder |  |
| 28 | 3C | ABA-COV-90THUMBSCREW | 0 | ABA-COV-90THUMBSCREW Red thumb screw |  |