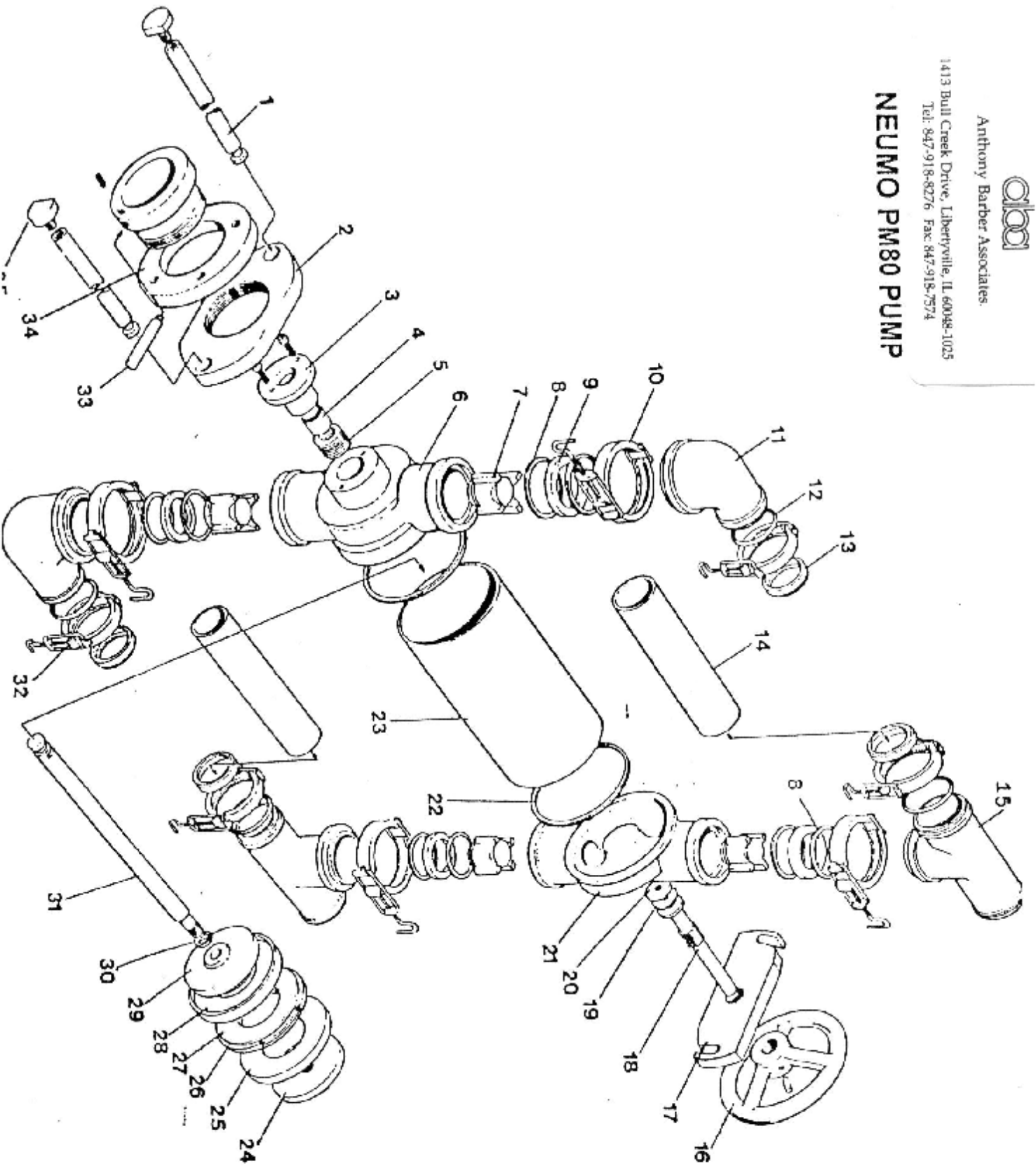




Anthony Barber Associates.

1413 Bull Creek Drive, Libertyville, IL 60048-1025
Tel: 847-918-8276 Fax: 847-918-7574

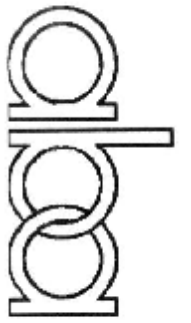
NEUMO PM80 PUMP



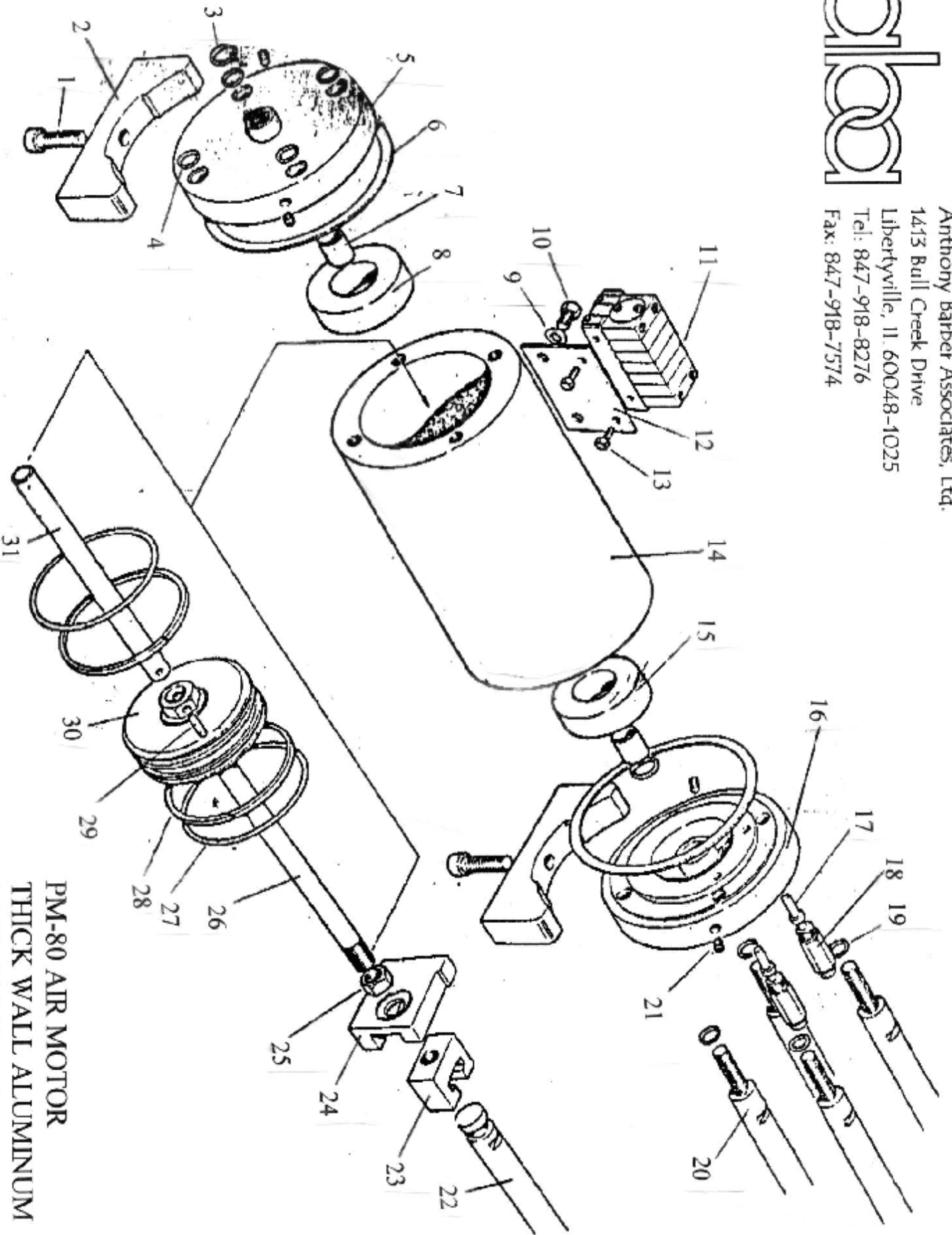


Anthony Barber Associates, Ltd
Packaging Machinery Representatives
1413 Bull Creek Drive, Libertyville IL 60048-1025
Tel: 847-918-8276 Fax: 847-918-7574

ABA_NUMBER	NEUMO_NBR	DESCRIP
		NEUMO PM80 PUMP
ABA-PM80-01	8750006 AND 8750110	PM 80 TIE ROD ITEM # 1 WITH END CAP ITEM # 35
ABA-PM80-02	8750107 75/107	PM 80 END PLATE ITEM # 2
ABA-PM80-03	8750028	PM 80 GLAND NUT & FLANGE ITEM #3
ABA-PM80-04	8750029 AND 75/29	PM 80 BUSH FOR GLAND NUT ITEM #4 ON DRG
ABA-PM80-05	1801002 OR 1860195	PM 80 GLAND PACKING SQUARE ITEM # 5
ABA-PM80-06	8750001A 75/1A	GLAND AND VALVE HOUSING PM80 #06
ABA-PM80-07	8750017 75/17	CHECK VALVE NEUMO PM-80 PUMP
ABA-PM80-08	SEAL 2.5" I LINE 1950048	PM 80 2 1/2" SEAL ITEM #8
ABA-PM80-09	8750018	PM 80 VALVE SEAT ITEM #9
ABA-PM80-10	CLAMP 2.5" 1950202	PM 80 CB 2 1/2" CLAMP ITEM # 10
ABA-PM80-100M	68-8232-50-000	PM 80 100 MM REPAIR KIT
ABA-PM80-11	8750015 75/15	PM 80 ELBOW ITEM # 11
ABA-PM80-12	1820226	PM 80 VITON MANIFOLD O-RING ITEM # 12
ABA-PM80-13	8750021	PM 80 FEMALE FITTING ITEM # 13
ABA-PM80-14	8750022	PM 80 TRANSFER TUBE ITEM # 14
ABA-PM80-15	8750014	PM 80 TEE PIECE ITEM # 15
ABA-PM80-16	8750013 75/13	PM80 HANDWHEEL ITEM # 16
ABA-PM80-17	8750009 75/9	TIE ROD PLATE REAR
ABA-PM80-18		HANDWHEEL SHAFT
ABA-PM80-19	8750012 75/12	PM 80 PRESSURE PAD ITEM # 19 & 20
ABA-PM80-20	SEE 115993A	
ABA-PM80-21	8750002 75/2	PM 80 END CAP AND VALVE HOUSING ITEM # 21
ABA-PM80-22	8750033 75/33	SEE ABA-T85-20
ABA-PM80-23	8750003 75/3	PM-80 CYLINDER BODY
ABA-PM80-24	8750027 75/27	PM80 SECURING NUT AND SUPPORT ITEM # 24
ABA-PM80-25		PISTON CUP - SEE 60008155C
ABA-PM80-26		WEAR RING - AEE 123809B
ABA-PM80-27	8750026 75/26 60008248E	PM 80 CENTRAL SPACER ITEM # 27
ABA-PM80-28		PISTON CUP - SEE 60008155C
ABA-PM80-29	8750025	PM 80 CUP AND SPACER SUPPORT ITEM # 29
ABA-PM80-30	8750024	PM 80 PUSH ROD SEAL ITEM # 30
ABA-PM80-31	8750023 75/23	PM 80 PUSH ROD
ABA-PM80-32	CLAMP 2" 1950021	PM 80 2" CLAMP ITEM # 32
ABA-PM80-33		LOCKING HANDLE
ABA-PM80-34	8750108 75/108	PM80 TIE ROD END PLATE



Anthony Barber Associates, Ltd.
1413 Bull Creek Drive
Libertyville, IL 60048-1025
Tel: 847-918-8276
Fax: 847-918-7574

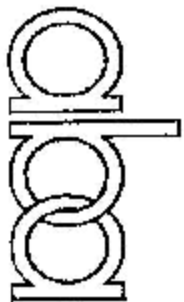


PM-80 AIR MOTOR
THICK WALL ALUMINUM
PART # NV/M/425

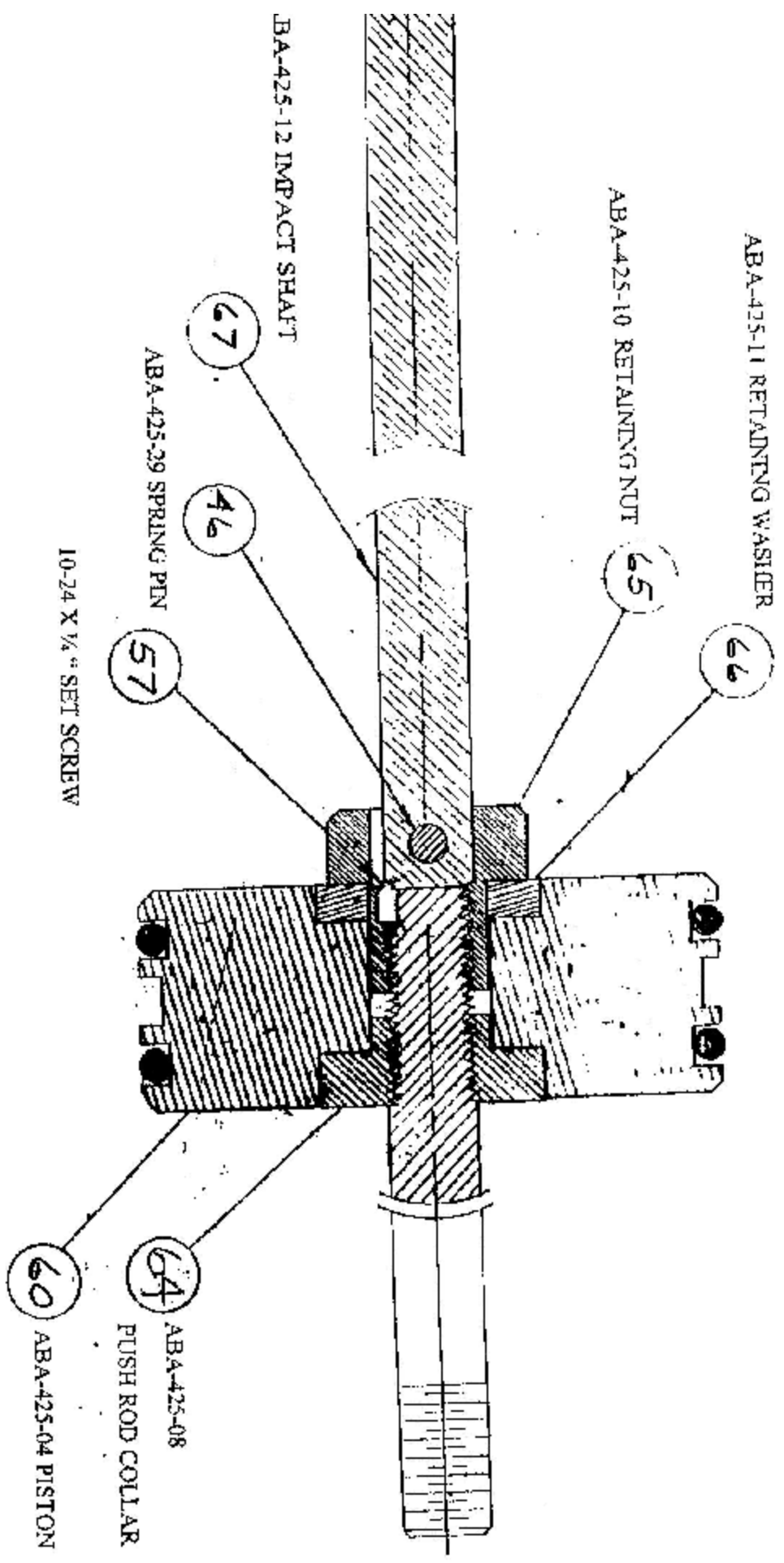


Anthony Barber Associates, Ltd.
1413 Bull Creek Drive, Libertyville IL 60048-1025
Tel: 847-918-8276 Fax: 847-918-7574

ITEM #	ABA_NUMBER	NEUMO_NBR	DESCRIP
			PM80 NV/M/425 AIR MOTOR
1	ABA-100MM-29		SOC HEAD CAP SCREW - M12 X 40MM LONG
2	D0017	D0017	PM80 AIR MOTOR SUPPORT BRACKET
3	ABA-425-21	NO 114	HEAD PLATE AND END CAP O-RING
4	554-0031	554-0031	PM80 AIR MOTOR O RING
5	878002	8780002 78/2	END CAP PM 80 AIR MOTOR
6	878005	8780005 78/5	PM80 AIR MOTOR MAIN GASKET TEF 6" DIA
7	ABA-425-28	60008184A	HEAD PLATE AND END CAP BUSHING
8	ABA-425-06	18/104	SHOCK ABSORBER (G.H.) - USE 60008182A SAME AS 425
12	878008	8780008 78/8	PM80 AIR MOTOR VALVE MOUNTING PLATE
14	878004	8780004 78/4	PM 80 MAIN AIR CYLINDER BODY REPLACES 78/4 US 80
15	ABA-425-13	18/106	SHOCK ABSORBER (E.C.) - USE 60008188A SAME AS 425
16	878006	8780006 78/6	GLAND HOUSING PM80 AIR MOTOR
17	878007	8780007 78/7	PM80 AIR MOTOR VALVE ACTUATOR SST
18	KUNKE -4600	KMV-7143	KUNKE POPPET VALVE
19	554-0013	541	PM80 AIR MOTOR O RING
20	8780013	8780013 78/13	PM80 TIE ROD (INVERTIBLE)
22	ABA-PM80-31	8750026 261	PM80 PUSH ROD
23	8780012	8780012 78/12	FEMALE COUPLING FOR PM 80 PUMPS
24	878011	8780011	PM80 AIR MOTOR ALIGNMENT BRACKET
25	ABA-425-30		HEX NUT - SEE 60008178A
26	878009	8780009 78/9	PM80 AIR MOTOR PUSH ROD
27	ABA-425-22	USE 60008187	PM80 AIR MOTOR O RING
28	ABA-100MM-23	57/215-425	PISTON RINGS N9437 - SEE 60008212A
29	ABA-100MM-25		TENSION (EXPANSION) SPRING PIN 1/4" DIA ST ZIN PLT
30	ABA-425-04	18/207	PISTON - USE 60008186B SAME AS 425
31	ABA-425-12	18/107	IMPACT SHAFT - USE 60008219B SAME AS 425 MOTOR

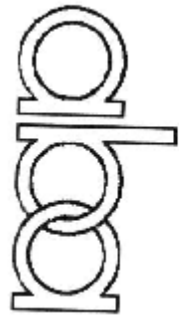


Anthony Barber Associates, Ltd.
1413 Bull Creek Drive
Libertyville, IL 60048-1025
Tel: 847-918-8276
Fax: 847-918-7574

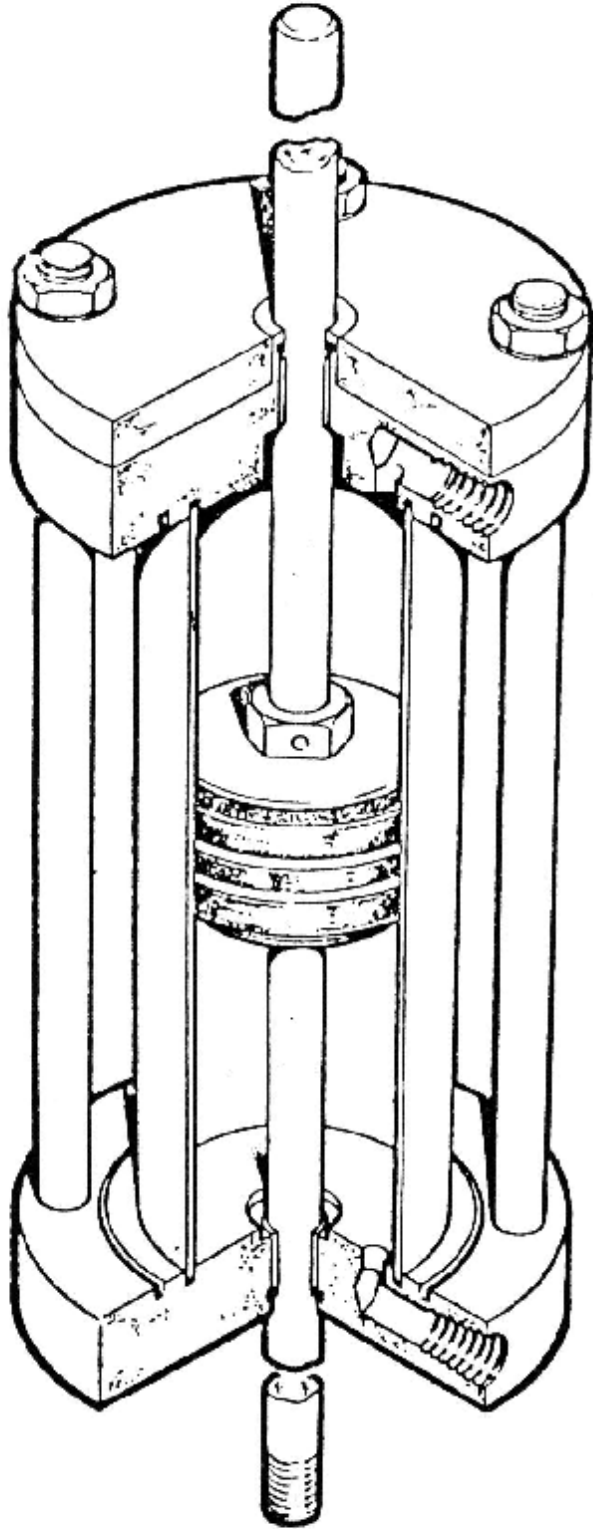


AFTER ITEMS 65 AND 63 ARE ASSEMBLED
DRILL AND TAP # 10-24 NC AT PILOT HALF
CIRCLE SO 1/4" SET SCREW DOES
NOT PROTRUDE BEYOND THE END
OF ITEM 63 (SECURE ITEM 57)

PISTON DETAIL,
NV/M/425 AIR MOTOR

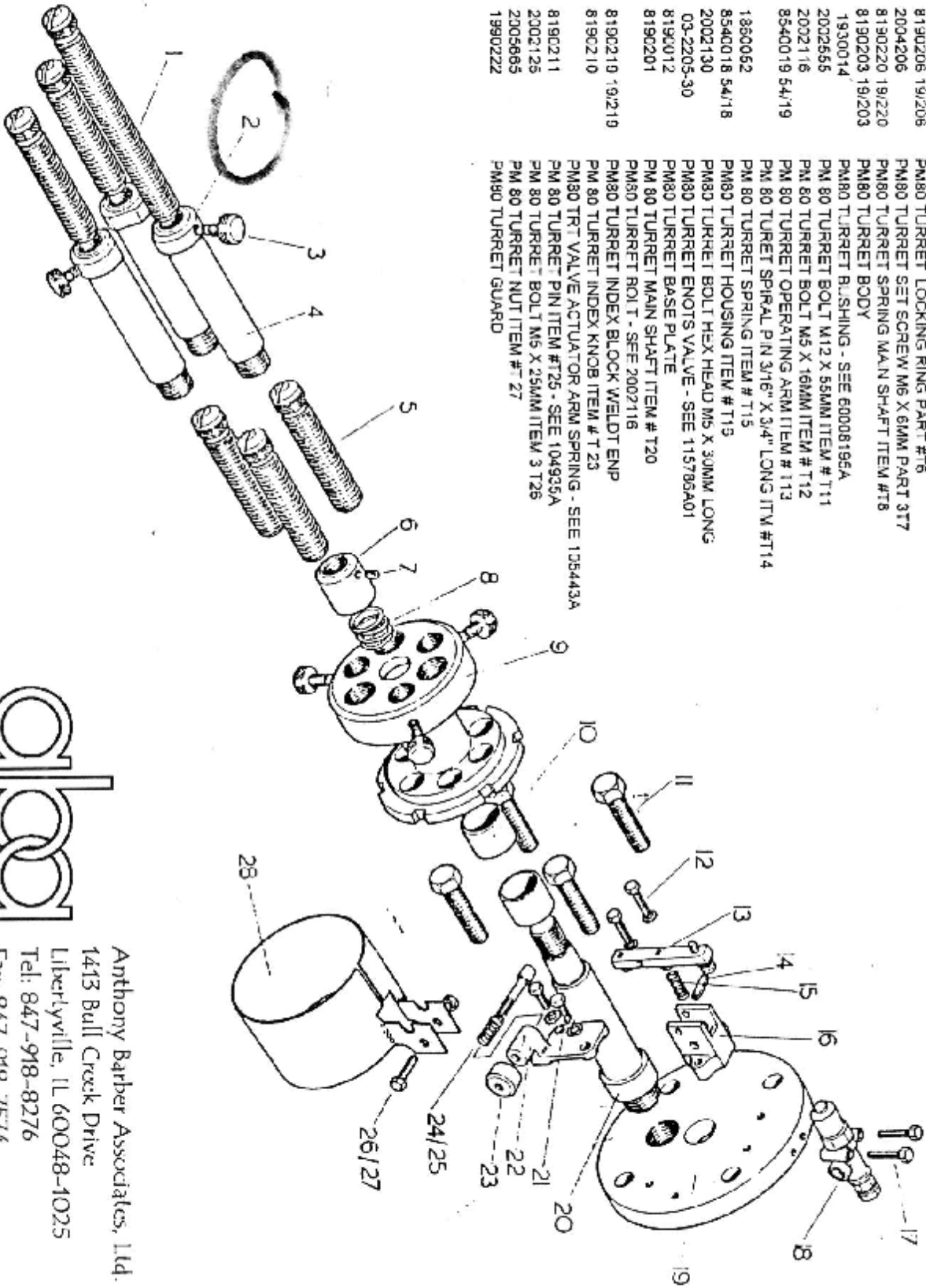


Anthony Barber Associates, Ltd.
1413 Bull Creek Drive
Libertyville, IL 60048-1025
Tel: 847-918-8276
Fax: 847-918-7574



PM-80 AIR MOTOR
ALUMINUM SLEEVE
PART # 100MM

ABA_NUMBER	NEUMO_MBR	DESCRIP
ABA-PM801-01	819209 19/209	PM80 SHOT SELECTOR STOP 8" (203MM)
ABA-PM801-02	819207 19/207	CARRIER LOCKING SCREW
ABA-PM801-03	8190216 19/216	LOCKING SCREW METRIC THREAD (THUMB SCREW)
ABA-PM801-04	8190204	PM80 TURRET EXTENSION STOP
ABA-PM801-05	819208 19/208	PM80 SHOT SELECTOR STOP 5" (127MM)
ABA-PM801-06	8190206 19/206	PM80 TURRET LOCKING RING PART #T6
ABA-PM801-07	2004206	PM80 TURRET SET SCREW M6 X 6MM PART 317
ABA-PM801-08	8190220 19/220	PM80 TURRET SPRING MAIN SHAFT ITEM #T8
ABA-PM801-09	8190203 19/203	PM80 TURRET BODY
ABA-PM801-10	1930014	PM80 TURRET BUSHING - SEE 60008195A
ABA-PM801-11	2002656	PM 80 TURRET BOLT M12 X 55MM ITEM # T11
ABA-PM801-12	2002116	PM 80 TURRET BOLT M5 X 16MM ITEM # T12
ABA-PM801-13	8540019 54/19	PM 80 TURRET OPERATING ARM ITEM # T13
ABA-PM801-14		PM 80 TURET SPIRAL PIN 3/16" X 3/4" LONG ITW #T14
ABA-PM801-15	1360062	PM 80 TURRET SPRING ITEM # T15
ABA-PM801-16	8540018 54/18	PM80 TURRET HOUSING ITEM # T19
ABA-PM801-17	2002130	PM80 TURRET BOLT HEX HEAD M5 X 30MM LONG
ABA-PM801-18	03-2205-30	PM80 TURRET ENOTS VALVE - SEE 115795A01
ABA-PM801-19	8190012	PM80 TURRET BASE PLATE
ABA-PM801-20	8190201	PM 80 TURRET MAIN SHAFT ITEM # T20
ABA-PM801-21		PM80 TURRET BOLT - SEE 2002116
ADA-PM801-22	8190219 19/219	PM80 TURRET INDEX BLOCK WELDT ENP
ABA-PM801-23	8190210	PM 80 TURRET INDEX KNOB ITEM # T 23
ABA-PM801-24	8190211	PM80 TRT VALVE ACTUATOR ARM SPRING - SEE 105443A
ABA-PM801-25	2002125	PM 80 TURRET PIN ITEM #T25 - SEE 104935A
ABA-PM801-26	2005865	PM 80 TURRET BOLT M5 X 25MM ITEM 3 T26
ABA-PM801-27	1990222	PM 80 TURRET NUT ITEM # T 27
ABA-PM801-28		PM90 TURRET GUARD



Anthony Barber Associates, Ltd.
 1413 Bull Creek Drive
 Libertyville, IL 60048-1025
 Tel: 847-918-8276
 Fax: 847-918-7574