



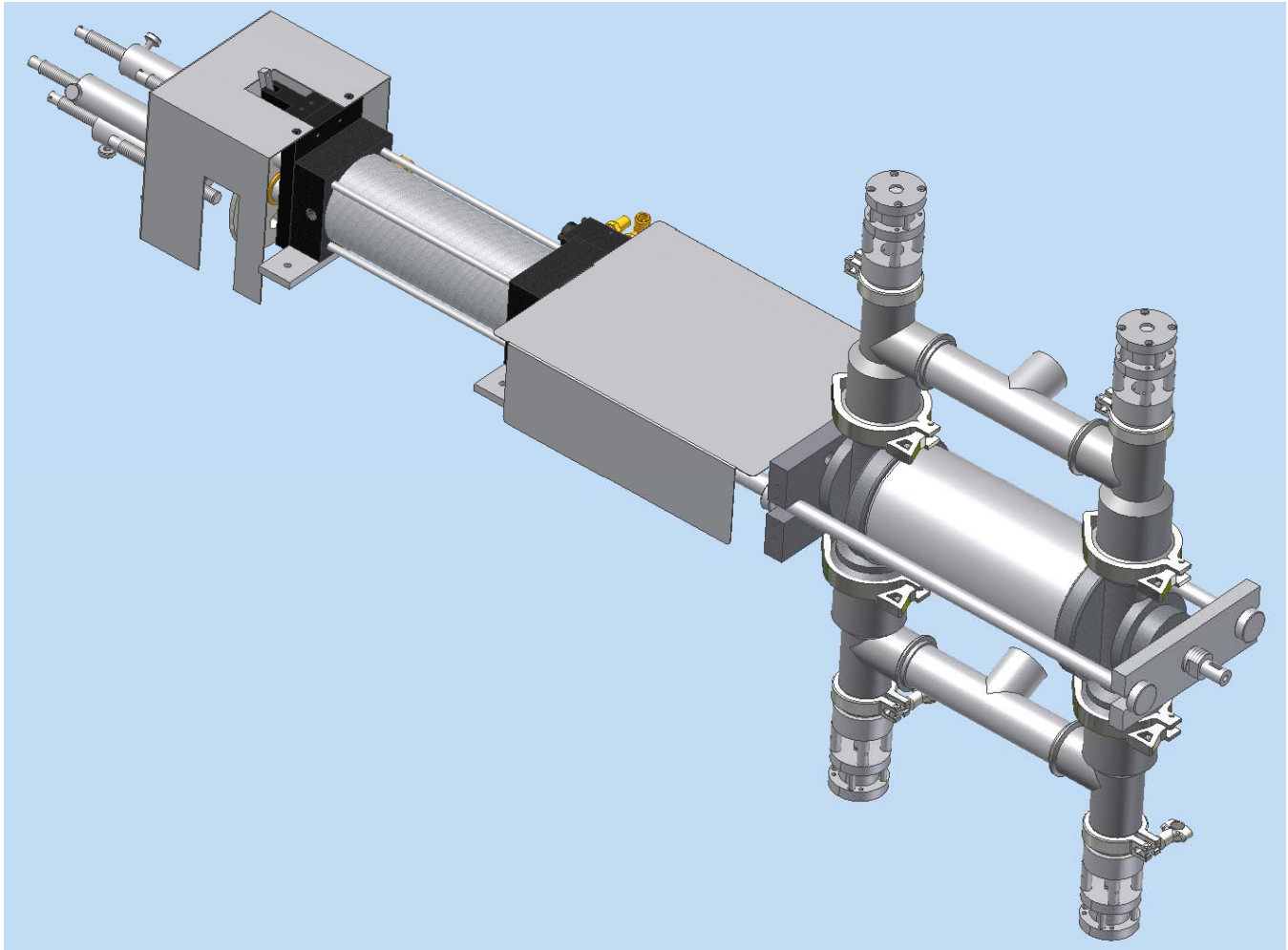
Anthony Barber Associates, Ltd.
Manufacturers of Liquid Filling Machines, Paint Filling Machines
and Spare Parts for ABA, Thiele and Neumo Fillers

8041 Arrowridge Blvd., Suite G, Charlotte, NC 28273 USA

Tel: +1 (704) 714-3494 Fax: +1 (704) 714-3496

sales@abaltd.com www.abaltd.com

Gallon Volumetric Pumps ABA-99-PCV



Double acting positive displacement volumetric piston pump with power check valves. Both sides of piston flooded with product, reducing cylinder and seal wear, and increasing the speed of the fill cycle. Pump displacement is from $\frac{1}{2}$ pint to 1 gallon per cycle with accuracy of $\pm 0.25\%$. Complete with 6-position volume selector turret. Allows for direct product feed. Eliminates the need for the filter tub.

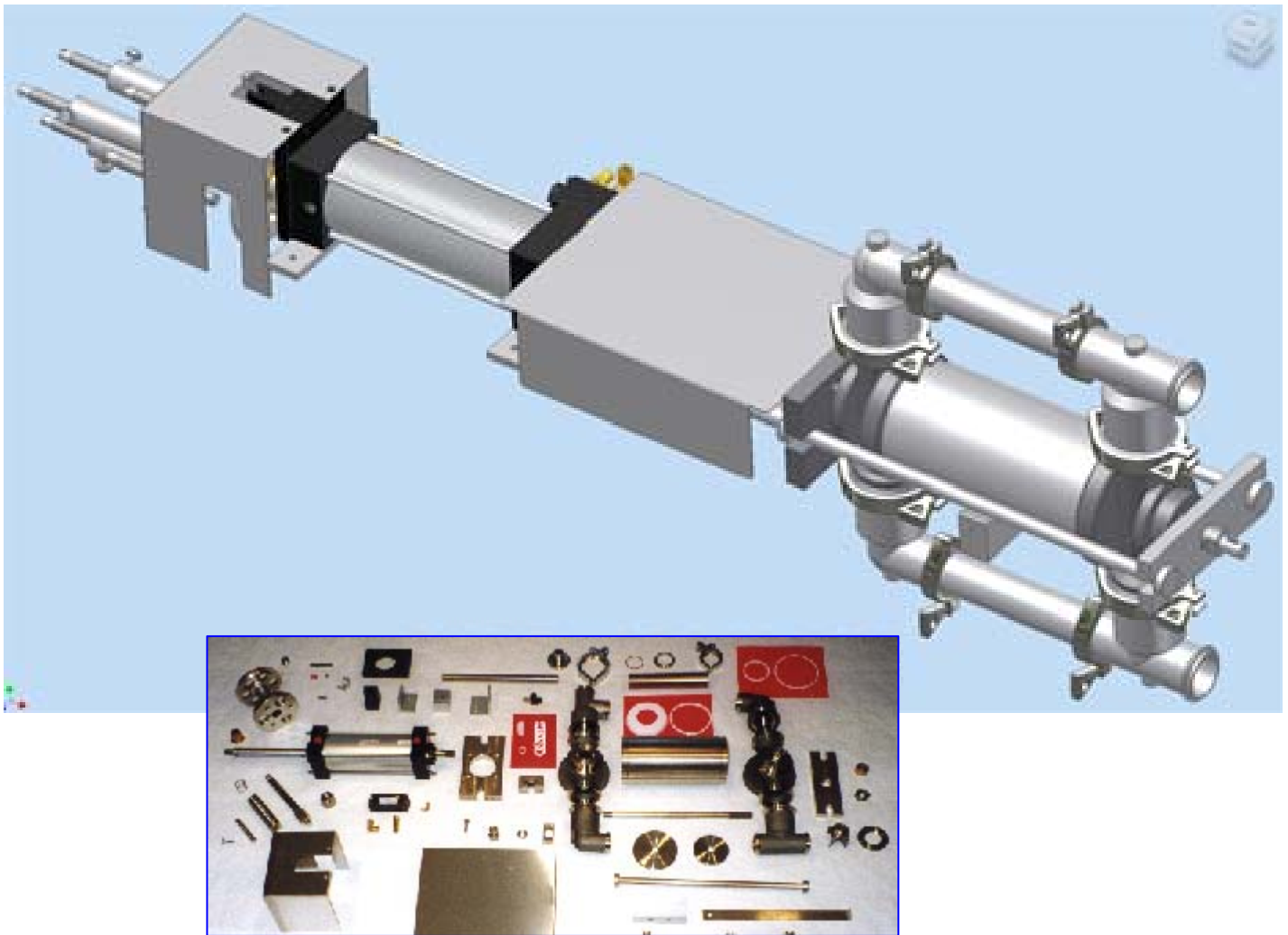


8041 Arrowridge Blvd., Suite G, Charlotte, NC 28273 USA

Tel: +1 (704) 714-3494 Fax: +1 (704) 714-3496

sales@abaltd.com www.abaltd.com

Gallon Volumetric Pumps ABA 80-GCV



Double acting positive displacement volumetric piston pump with gravity flow valves. Both sides of piston flooded with product, reducing cylinder and seal wear, and increasing the speed of the fill cycle. Pump displacement is from half pint to five quarts per cycle with accuracy of $\pm 0.25\%$. Complete with 6-position volume selector turret.